

Top-hat beam

Effect and safe treatment

Dual wavelengths

Simultaneous 1064 nm and 755 nm

Two handpieces

Zoom handpiece
Cartridge handpiece

Two coolings

Gas cooling
Air cooling

Long-lasting gas

900 g capacity,
Max. 25,000 shots,
Refillable

Others

Faster hair removal at 3Hz
Smart protocol
Automatic cooling system
CRYO-ZET

✓ Clinical Indication



Hair removal

- Dark/light hair
- Thick/thin hair
- Any body areas
- Any skin types

Pigmented lesions

- Freckles
- Seborrheic keratosis
- Dyschromia

Vascular lesions

- Telangiectasia
- Blue vascular
- Facial flushing
- Inflammatory acne
- Rosacea
- Nevus flammeus
- Hemangioma
- Spider veins

Rejuvenation

- Wrinkles
- Skin laxity

✓ Technical Specification

Laser Medium	Nd:YAG, Alexandrite
Wavelengths	1064, 755 nm
Beam Delivery	Lens-coupled optical fiber with handpiece
Energy	Max. 90 J @ 1064 nm
	Max. 60 J @ 755 nm
Fluence	1273 J/cm2 @ 1064 nm
	849 J/cm2 @ 755 nm
Pulse Duration	0.5 - 100 ms
Spot Size	3, 5, 7, 10, 12, 15, 18, 20, 22 mm (Zoom HP) 3, 6, 10, 12, 15, 18, 20, 22 mm (Cartridge HP)
Repetition Rate	1 - 7 Hz
Aiming Beam	532 nm (< 5 mW)
Cooling	Cryo gas & Air cooling system
Dimension (W*L*H)	1050 mm (W) X 500 mm (L) X 1100 mm (H)
Weight	105 Kg

For international use only

ΔESTHETIC
MEDICAL
INNOVATION



ALLUX DUAL

Long-pulsed Nd:YAG & Alexandrite Laser

Product Overview

The ALLUX DUAL, developed by AMI, is a long-pulsed laser device offering dual wavelengths—1064 nm and 755 nm—within a single platform, making it ideal for a variety of treatments such as hair removal, vascular lesions, and pigmented lesions.

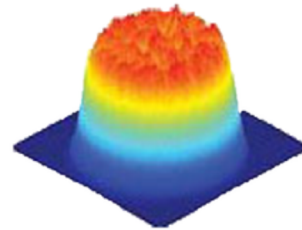
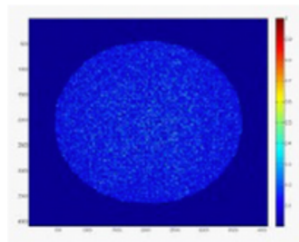
What distinguishes the ALLUX DUAL is its ability to simultaneously emit both 1064 nm and 755 nm wavelengths.

In addition, the ALLUX DUAL enhances its flexibility with two types of handpieces—the zoom and cartridge handpieces—designed to meet diverse treatment requirements. It also provides two cooling options, gas or air, enabling physicians to tailor treatments according to patient needs. Significantly, the gas component of the cooling system has an impressive lifespan of up to 25,000 shots, ensuring long-lasting and reliable performance.

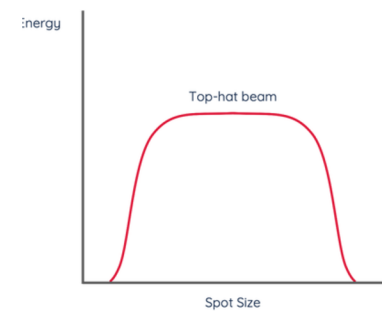


Top-hat Beam

- Provides a uniformly distributed energy pattern over the treatment spot size.
- Ensures consistent and predictable results.
- Reduces the risk of side effects from localized hot spots.



Beam Profile



Dual Wavelengths

Dual emission removes various hair types—whether thick or thin, black or grayish, and at different depths.



Two Handpieces

Physicians can choose between two types of handpieces: the Zoom Handpiece or the Cartridge Handpiece.



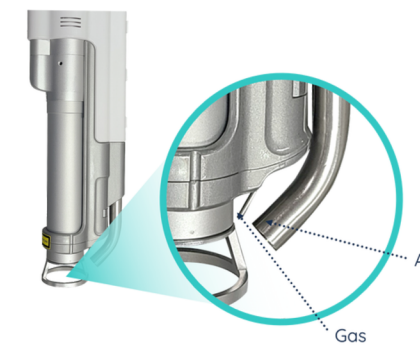
- Offers convenient spot size adjustment without needing to change cartridges.
- Eliminates the need to buy multiple handpiece cartridges.



- For physicians who prefer using cartridge-type lasers from various manufacturers.
- Provides a suitable alternative to the zoom handpiece.

Two Cooling Options

- Two cooling options are provided: 'Gas-type' and 'Air-type.'
- Physicians can choose the option that best fits their specific treatment needs.



Long-lasting Gas

The gas cooling system offers efficient and secure performance with a significant 900g gas capacity, which is notably larger than other available products. Each bottle supports 25,000 shots in a 4ml case and can be refilled within specified usage limits.

- 900g gas capacity
- 25,000 shots per bottle
- Refillable

